

## Features

- ▶ Ultra-miniature for maximum space saving
- ▶ Ideal for wireless & mobile applications
- ▶ Metal lid can be grounded to minimise EMI
- ▶ Seam sealed for excellent long-term stability

## Specifications

Parameters	Product	Option Codes
	GSX-223	
Frequency range:	16.0 ~ 50.0MHz	■
Calibration tolerance:	±10ppm ±15ppm ±30ppm Other values (±7.5 ~ ±100ppm)	■ □ □ □
Temperature stability:	±10ppm ±15ppm ±20ppm ±30ppm Other values (±7.5 ~ ±100ppm)	■ □ □ □ □
Operating temperature range:	-10 to +60°C -20 to +70°C -30 to +80°C Other values	■ □ □ □
Storage temperature range:	-40 to +85°C	■
Circuit condition:	8pF 9pF 10pF Series resonant Other values	□ ■ □ □ □
Oscillation mode:	Fundamental	■
Equivalent series resistance:	150Ω max (16.0 ~ 23.99MHz) 100Ω max (24.0 ~ 35.99MHz) 60Ω max (36.0 ~ 50.0MHz)	■ ■ ■
Ageing:	±1ppm max first year	■
Test drive level:	10μW typ, 100μW max	■
Soldering condition:	260°C, 10 sec x2 max	■

■ Standard. □ Optional - Please specify required code(s) when ordering

## Ordering Information

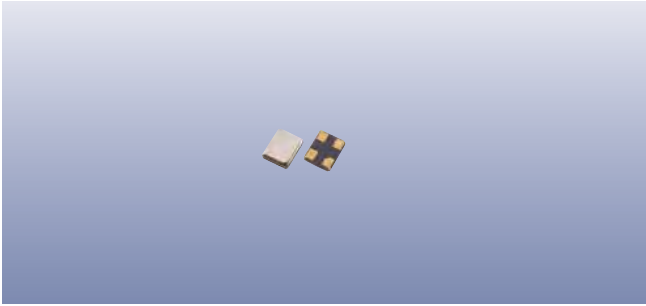
Part No, or product name + option codes + frequency

eg: **GSX-223/111NF 26.0MHz** 10/10/10/9-F

**GSX-223/1P3AF 40.0MHz** 10/15/30/10-F

Option code X (eg GSX-223/X) denotes a custom specification.

♦ ±10ppm temperature stability may not be available over -30+80°C. Check with our sales office before ordering.



## Construction

- ▮ Ceramic body with gold-plated pads
- ▮ Metal lid, seam sealed

## Composition



This product is lead-free, and is fully compliant with the RoHS directive 2011/65/EC



## Packaging & Handling

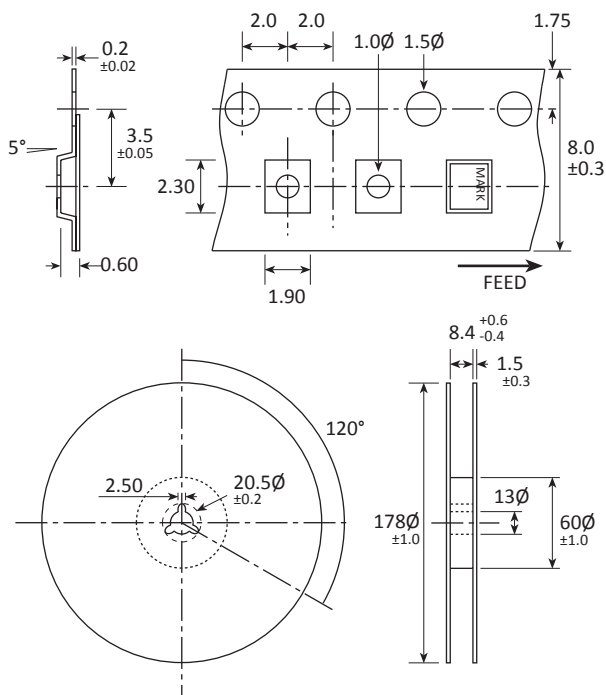
Production quantities supplied on T&R, 3k pcs per reel.  
Small quantities may be supplied on tape (no reel), or in bulk.

## Marking

FREQUENCY  
T DC

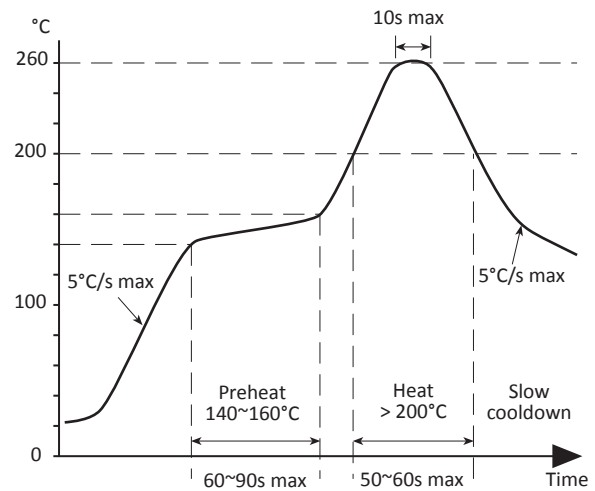
Marking type: Laser  
DC = Date code

## Tape & Reel Specification



Not to scale. Dimensional tolerances ±0.1mm unless otherwise stated.

## Soldering Profile



Maximum solder resistance: 260°C x 10 secs x 2.